

# Whistler

collection

peronda

**Sawn timber.**  
**Warmth and natural appeal**

MADERA ASERRADA.  
NATURALIDAD Y CALIDEZ

A scenic landscape featuring a calm lake in the foreground, reflecting the sky and surrounding greenery. The middle ground is filled with a dense forest of evergreen trees. In the background, there are rolling mountains, some with patches of snow, under a clear blue sky with a few scattered white clouds. A white rectangular text box is centered over the middle of the image.

# Whistler

BROWN - HONEY - MAPLE - TAUPE

Brown



WHISTLER  
brown

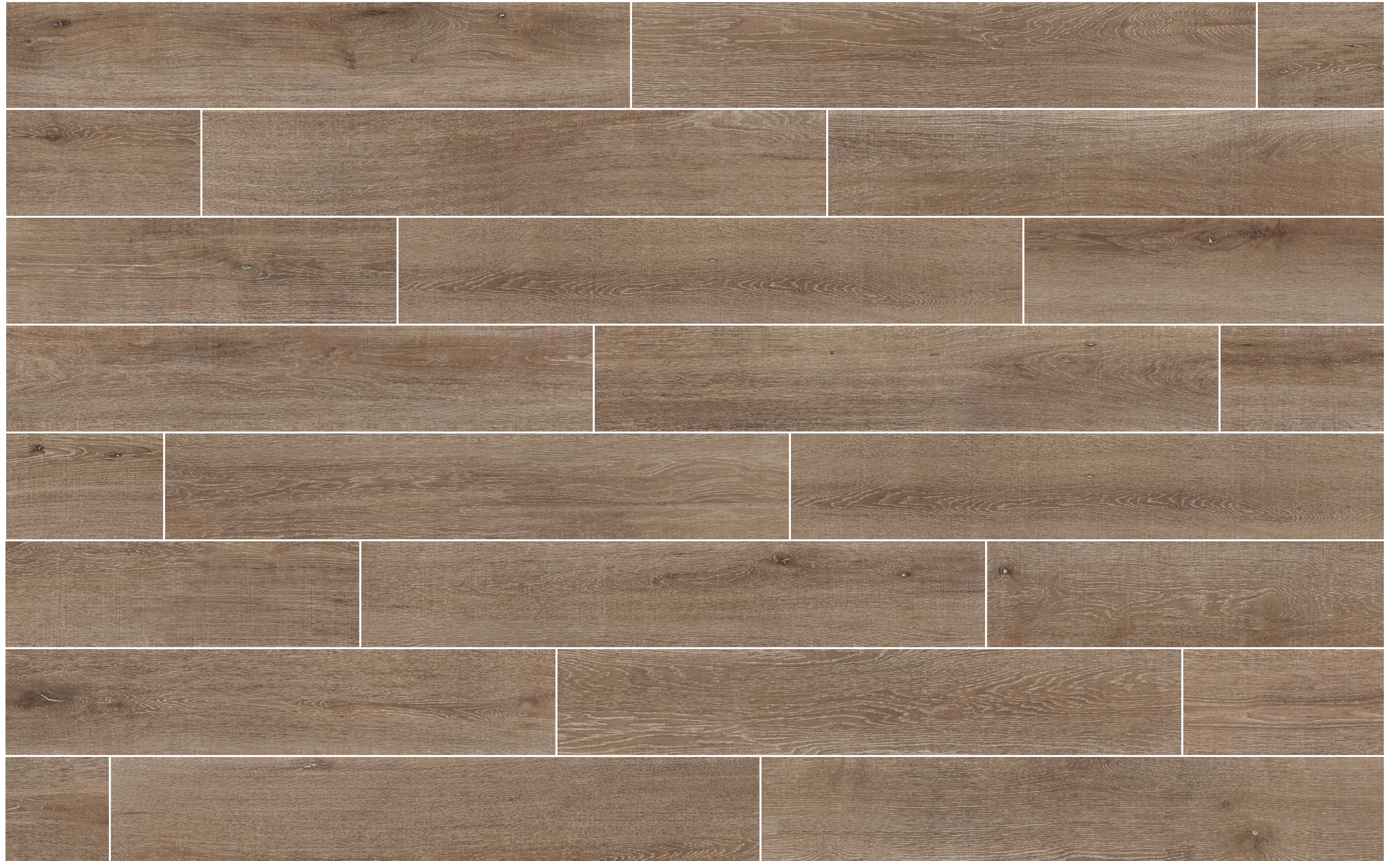


WHISTLER Brown\_24\*151



24\*151\*1,1 cm

WHISTLER  
brown



WHISTLER Brown\_24\*151



24\*151\*1,1 cm

Natural & Antislip

Homey

WHISTLER  
honey



WHISTLER Honey\_24\*151



24\*151\*1,1 cm

Natural & Antislip



WHISTLER  
honey



WHISTLER Honey\_24\*151



24\*151\*1,1 cm

Natural & Antislip

Mapple

WHISTLER  
maple



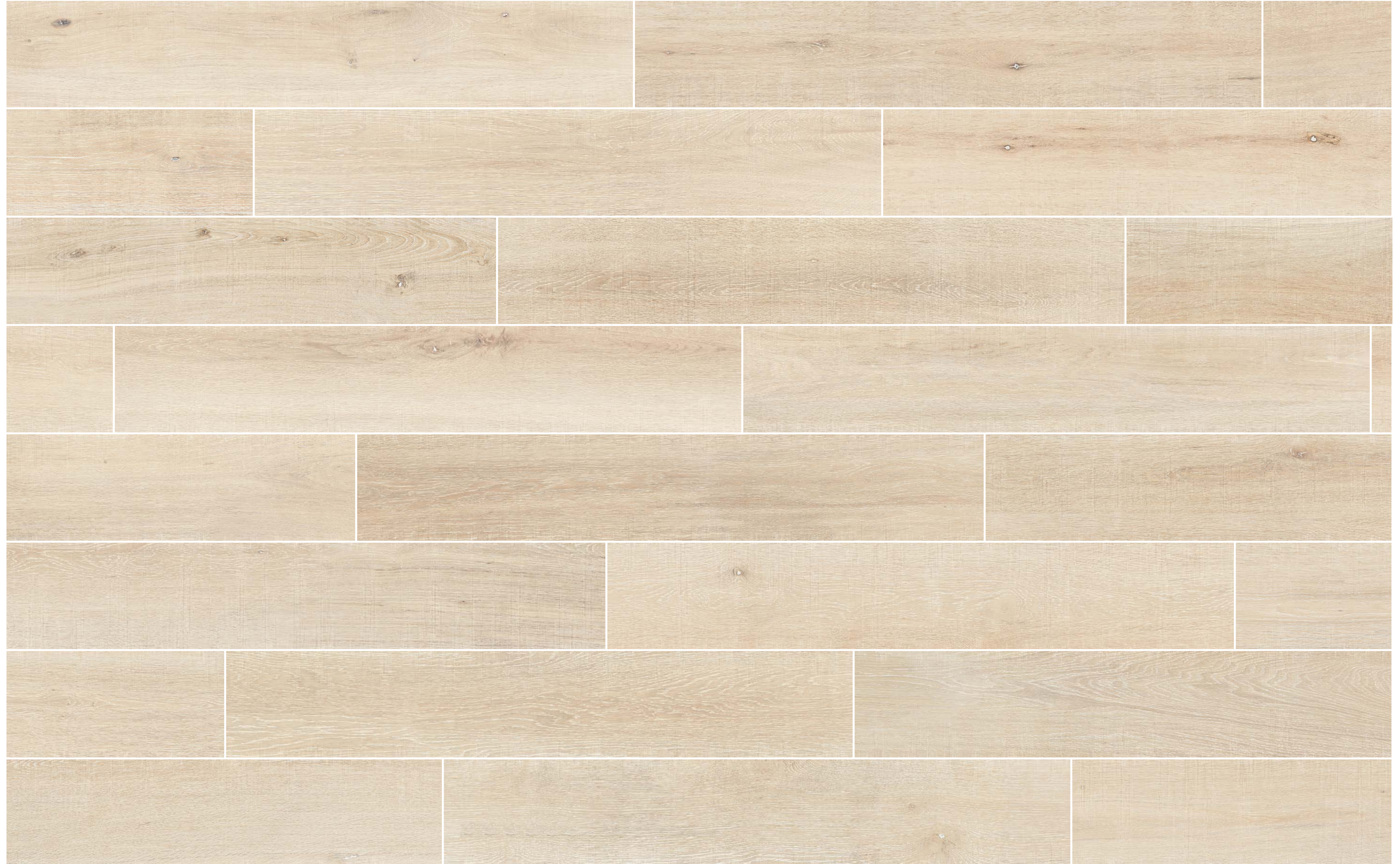
WHISTLER Maple\_24\*151



24\*151\*1,1 cm

Natural & Antislip

WHISTLER  
maple



WHISTLER Maple\_24\*151



24\*151\*1,1 cm

Natural & Antislip

Laurel

WHISTLER  
taupe



WHISTLER Taupe\_24\*151



24\*151\*1,1 cm

Natural & Antislip

# WHISTLER

taupe



**WHISTLER** Taupe\_24\*151



24\*151\*1,1 cm

**Natural & Antislip**

WHISTLER  
collection

WHISTLER Taupe



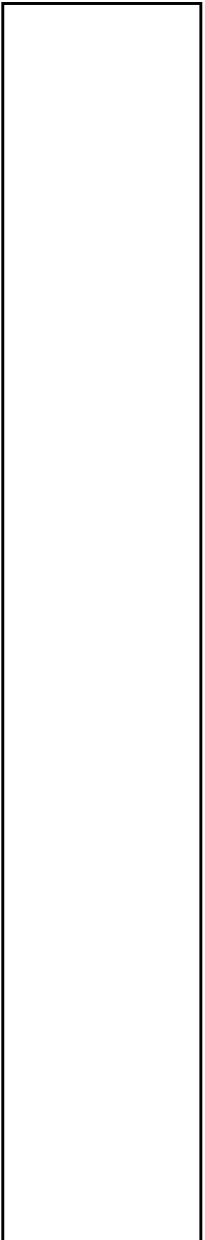
WHISTLER Maple



WHISTLER Honey



WHISTLER Brown

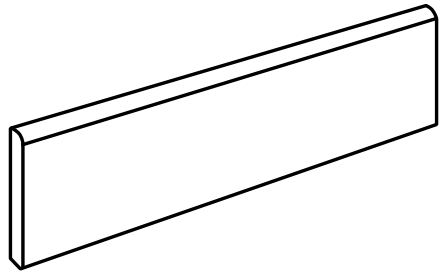
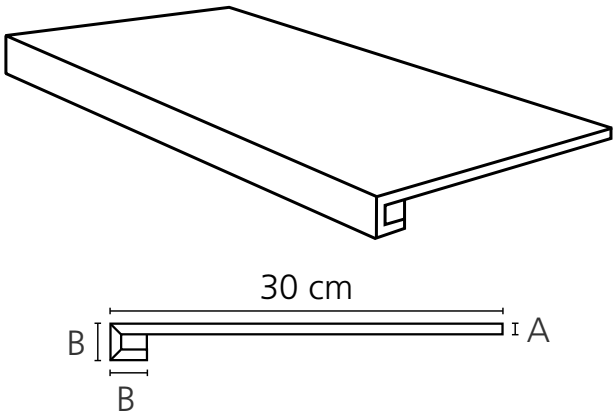
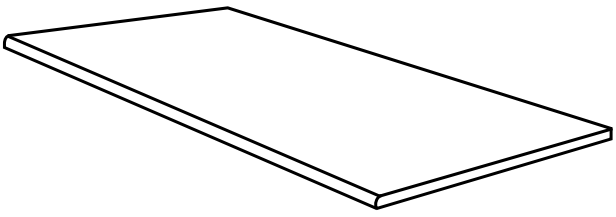
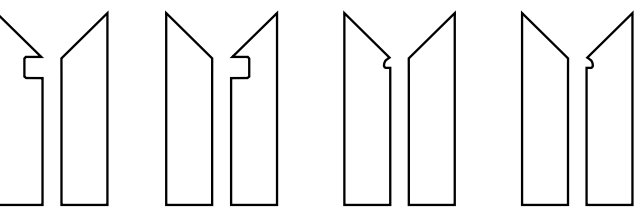




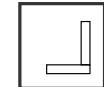

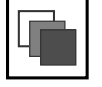
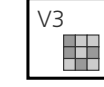


30 patterns

24 \* 151 \* 1,1 cm | 9 \* 59"

| RECTIFIED | NATURAL<br>PRICE CODE<br>BN93 | ANTISLIP<br>PRICE CODE<br>BN121 |
|-----------|-------------------------------|---------------------------------|
| BROWN     | 23930                         | 25370                           |
| HONEY     | 23929                         | 25376                           |
| MAPLE     | 23928                         | 25377                           |
| TAUPE     | 23927                         | 25378                           |



| PIEZA COMPLEMENTARIA   COMPLEMENTARY PIECE  |  |   |  |
|---|--|---|--|
| <p>Rodapie - Skirting</p>  <p><b>R.</b></p> | <p>Peldaño técnico - Technical stair - thread</p>  <p><b>P.</b></p> | <p>Peldaño romo - Rounded stair - thread</p>  <p><b>R.P.</b></p> | <p>*S.K.I. *S.K.D. *Z.R.I. *Z.R.D.</p>  |
| 8*75,5 cm   3*30" P43   | 30*151 cm   9 *59" P80<br>A= 1,1 cm B= 3,3 cm  | 30*151 cm   9 *59" P54  | 8*30 cm   3*12" P55  |

| CARACTERÍSTICAS TÉCNICAS<br>TECHNICAL CHARACTERISTICS  |   |   |   |
|--|---|---|---|
| joint<br>             | frost proof<br>       | versatile<br>          | matt<br>             |
| diferent shades<br> | shade variation<br> | various graphics<br> | various moulds<br> |

| CARACTERÍSTICAS TÉCNICAS ANTIDESLIZAMIENTO   ANTI-SLIP CHARACTERISTICS |  |                    |          |
|--|--|--------------------|----------|
| Ensayo   Essay   | Características   Features   | Resultado   Result |          |
|  |  | NATURAL            | ANTISLIP |
| DIN 51130  | Ángulo crítico (Pies calzados)   Critical angle (footwear)                 | R9                 | R11      |
| DIN 51097  | Ángulo crítico (Pies descalzos)   Critical angle (Wet loaded barefoot)     | -                  | A+B      |
| BS 7976-2  | Antideslizamiento (Test del péndulo)   Slip resistance (Pendulum test-PTV) | -                  | +36 Wet  |
| UNE-ENV 12633  | Antideslizamiento (Test del péndulo)   Slip resistance (Pendulum test)     | Class 1            | Class 3  |
| AINSI A137.1   | Coefficiente de Fricción Dinámico   Dynamic Coefficient of Friction (DCOF) | > 0,42             | > 0,42   |
| ISO 10545-7  | Resistencia a la Abrasión Superficial   Resistance to Surface Abrasion     | PEI 4              |          |

| EMBALAJE   PACKING      |  |               |                       |       |        |                       |         |                            |                       |
|-------------------------|--|---------------|-----------------------|-------|--------|-----------------------|---------|----------------------------|-----------------------|
| Formato   Sizes         |  | Cajas   Boxes |                       |       | Pallet |                       |         | Cont./20' 21500 kg.        | Cont./20' 24000 kg.   |
| cm                      |  | Piezas        | m <sup>2</sup> / sq.m | kg    | Cajas  | m <sup>2</sup> / sq.m | kg      | Tamaño cm aprox.           | m <sup>2</sup> / sq.m |
| 24 * 151 * 1,1          |  | 3             | 1,09                  | 30,80 | 42     | 45,78                 | 1339    | 160 * 92 * 63              | 735,08                |
| inch                    |  | Units         | ft <sup>2</sup>       | lb    | Boxes  | ft <sup>2</sup>       | lb      | Sizes inch approx.         | ft <sup>2</sup>       |
| 9 7/16 * 59 7/16 * 7/16 |  | 3             | 11,73                 | 67,91 | 42     | 492,78                | 2952,50 | 47 1/4 * 31 1/2 * 24 13/16 | 7912,38               |

(Los pesos aquí reflejados pueden sufrir ligeras variaciones en función del lote de producción. Weights shown here may slightly vary depending on the production lot.)

# peronda

Debido a los procesos de impresión, los colores que aparecen en este catálogo deben considerarse aproximados, y no exactos. **All colours and hues appearing in this catalogue should be considered approximate, only in view of the printing processes involved.**

Los derechos de todos los contenidos (textos, fotografías, dibujos, diseños etc) del presente catálogo son propiedad de PERONDA GROUP, S.A (o en su defecto, cuentan con los correspondientes permisos y autorizaciones de sus titulares). No está permitida la reproducción total o parcial de esta publicación, ni su tratamiento informático, ni la transmisión de ninguna forma o por cualquier medio, ya sea electrónico, mecánico, por fotocopia, por registro u otros medios, sin el permiso previo y por escrito de los titulares del copyright. **The rights of all contents (texts, photographs, drawings, designs, etc.) of this catalogue remain the property of PERONDA GROUP, S.A (or, failing that, they have the corresponding permissions and authorizations of the owners). No part of this publication may be reproduced, stored in a retrieval system, or transmitted in any form or by any means, electronic, mechanical, photocopying, recording or otherwise, without the prior written permission of the copyright holders.**

© PERONDA GROUP 2019  
Av. Manuel Escobedo, 26.  
12200 Onda (Castellón) España



# Whistler

collection

peronda